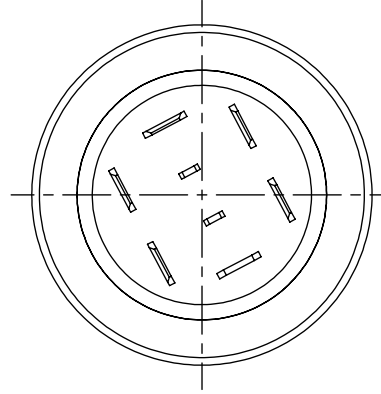
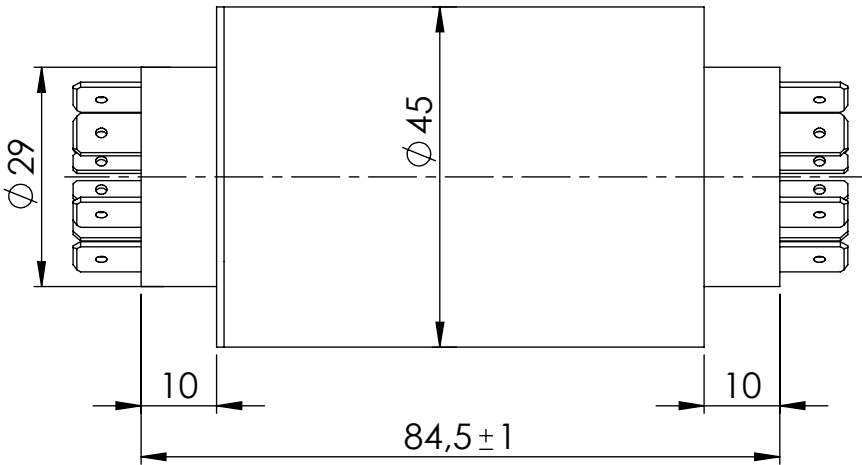
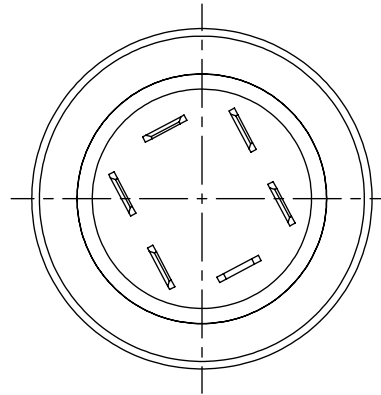
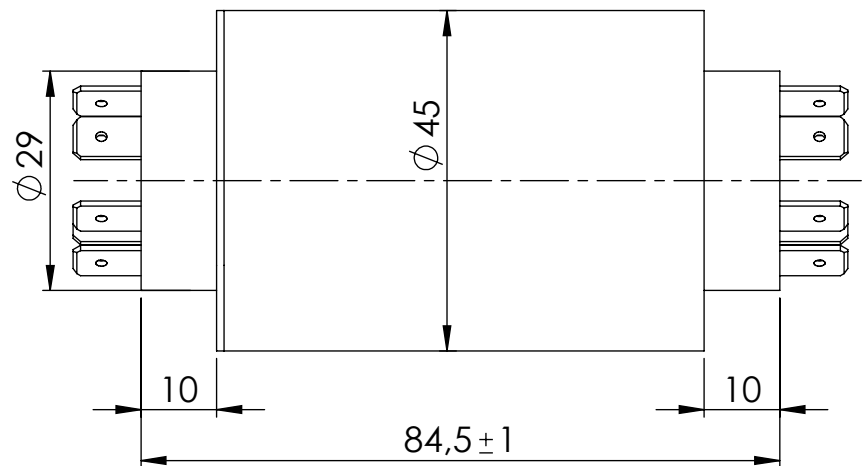


Rotor Stator



Model	Circuits	
	5A	20A
KS 45-6x20A	-	6
KS 45-2x5A-6x20A	2	6

Voltage	240Vac/240Vdc
Contact material	Gold alloy
Faston 5A (mm)	0,8x6,3
Faston 20A (mm)	0,8x2,8
Dielectric strength	500VAC@60Hz,60s
Insulation resistance	≥1000MΩ/500Vdc
Dynamic contact resistance	<100mΩ @6Vdc 50mA 5RPM
Operating Speed	400rpm
Temperature	-20°C ~ +80°C
Housing material	Engineering plastic
Shaft material	Engineering plastic
Protection degree	IP51
Estimated life	10 ⁸ revs
Bearings	steel ball bearings

Version	Modification Description / Änderung	Dwg. No.	V35139	KS 45 General Drawing
			SERVO-DRIVE.CZ	
Die oben genannten Bemessungen sind Richtwerte. Alle Abmessungen in mm / All dimensions in mm			Date: 07.07.2015	Version: 1.0
			Author: P.Uher	Update: xx.xx.xxxx